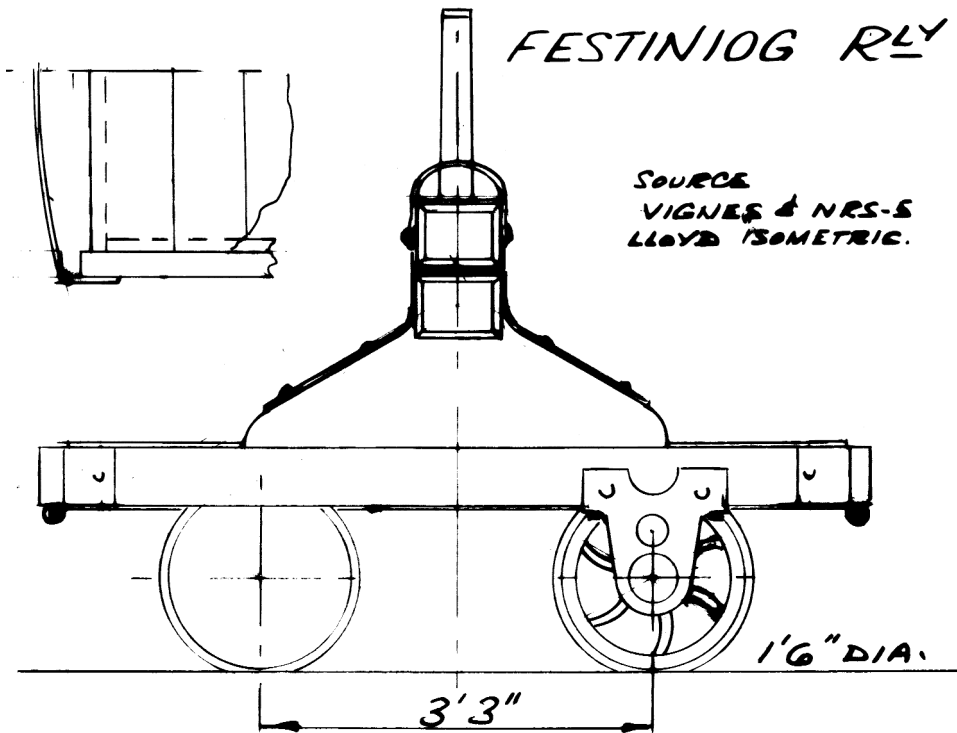
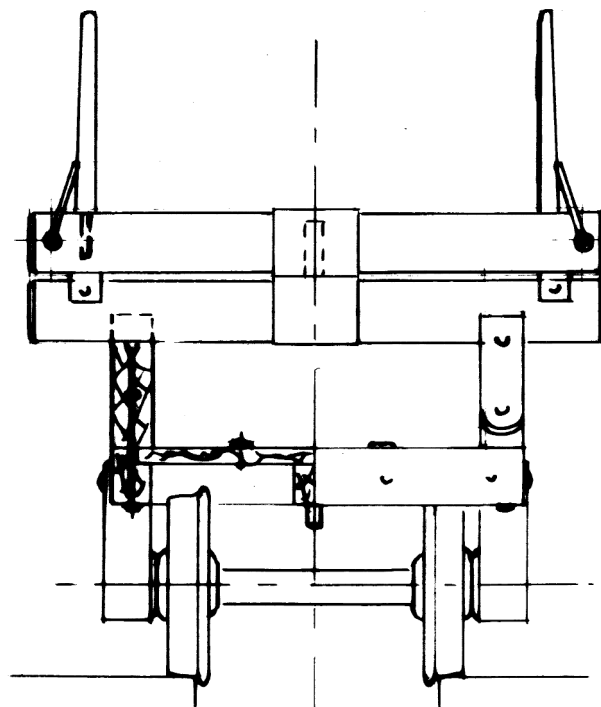


BOLSTER WAGON

FESTINI OG RLY



SOURCE
VIGNES & NRS-5
LLOYD ISOMETRIC.



SCALE 1/6 MM = 1 FOOT

Drawn by Colin Binnie 1976. © Colin Binnie & Merioneth Mercury

More Binnie narrow gauge drawings available at <http://www.colinbinnie.com/>

And <http://www.merionethrailwaysociety.com/>