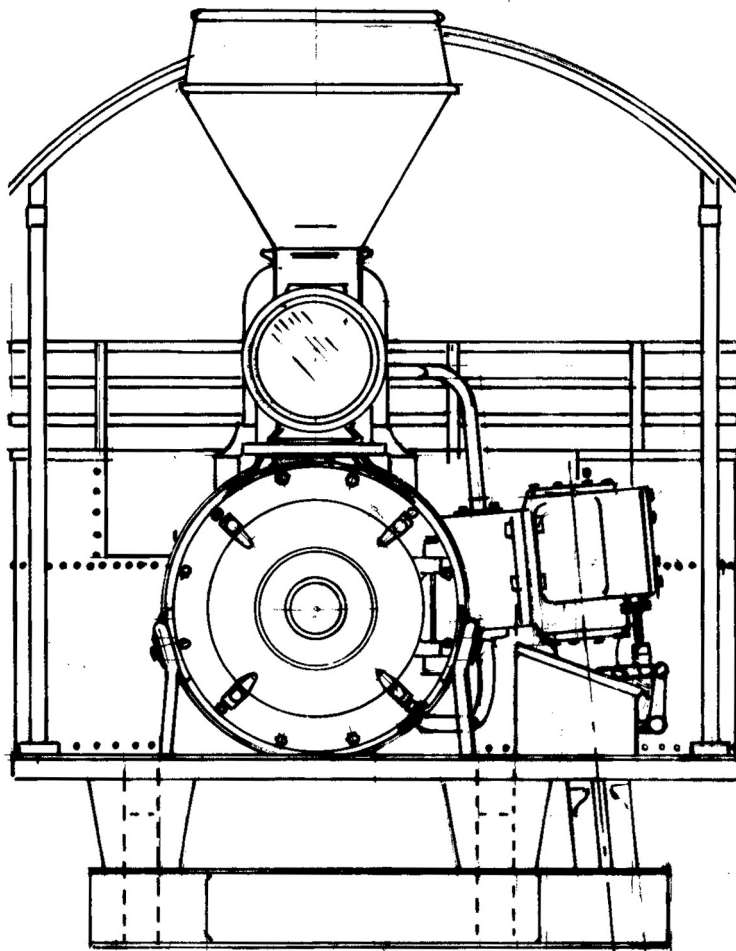
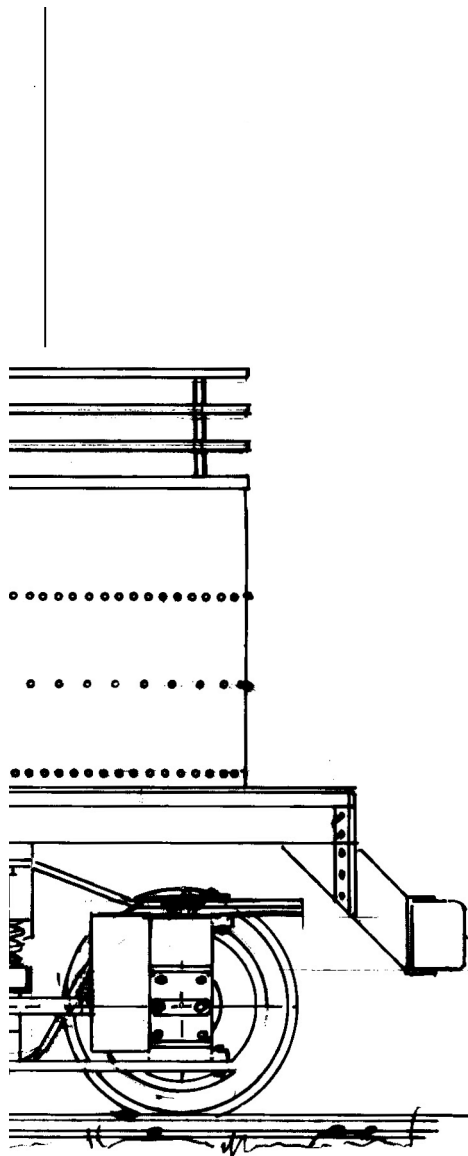
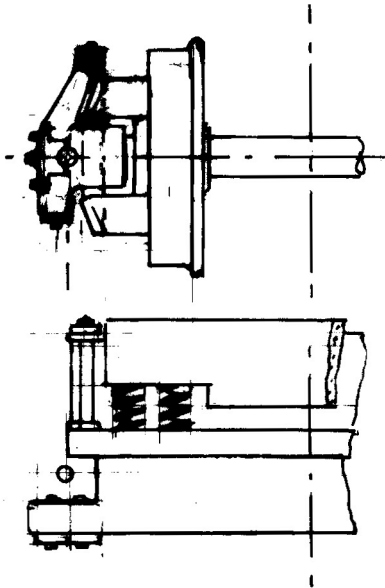


SHAY FOR OCTAVIANO B. CABRERA, SAN LUIS POTOSI, MEXICO JUNE 1903



LIMA N° 826 & 827
RLY. N° 4 'POZOS'
& N° 5 NAME UNKNOWN
GAUGE 23³/₄"
CYLS (2) 6" x 10"
DRIVING WHEEL
DIA 1'9"



NOTE THAT THIS IS A LEFT HANDED SHAY

© Colin Binnie.

Binnie narrow gauge drawings are available at <http://www.colinbinnie.com/> and <http://www.merionethrailwaysociety.com/>