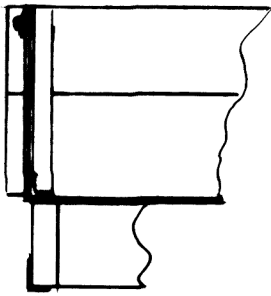


SOURCE - SITE MEASUREMENTS AT CASTLE

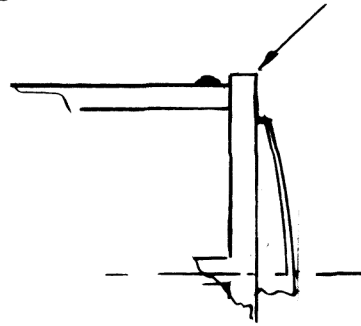
CHAMFERED ENDS



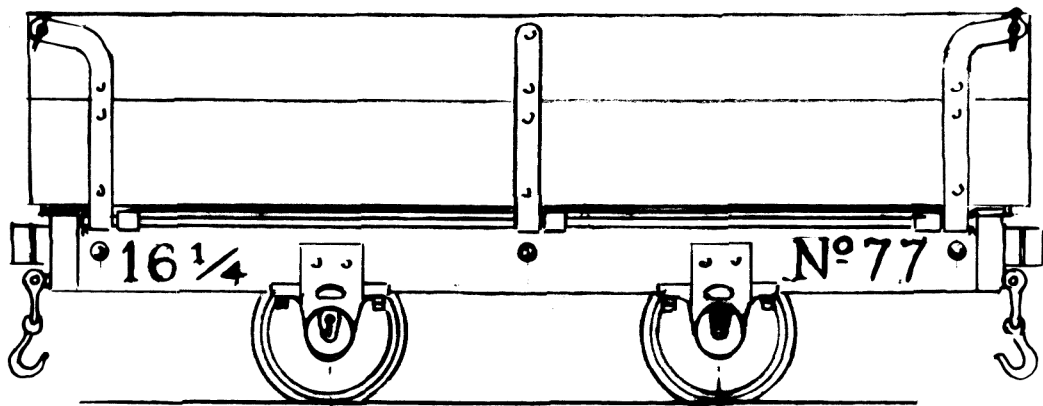
SCRAP VIEW -
INTERNAL END



AXLEBOX



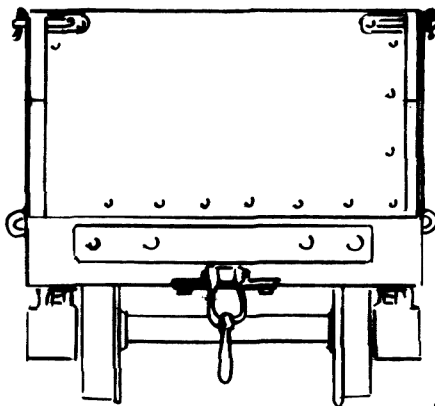
SCRAP VIEW -
CHASSIS PLAN



LETTERING
INCISED &
FILLED WHITE

3'3" W/B

WHEEL DIA 14"
B CURVED SPOKES.



CONSTRUCTION -
WOODEN CHASSIS
IRON FLOOR &
ENDS WITH ANGLE
IRON FRAME.
WOODEN SIDES

SCALE 16 MM ~ 1 FT

PENRHYN 'FULLERSITE' WAGON

Drawn by Colin Binnie 1976. © Colin Binnie & Merioneth Mercury

More Binnie narrow gauge drawings available at <http://www.colinbinnie.com/>

And <http://www.merionethrailwaysociety.com/>